

---

# RK2613A Technical specifications

1. Parameter table.....	2
2. Appearance.....	3
3.2 Power connector.....	6
3.3 Extended Interface.....	7
4. Dimensional drawings.....	9
4.1 External dimensions.....	9
4.2 Installation method.....	10
Attachment: Packaging and physical dimensions.....	11

Cosofteck Copyright

## 1. Parameter table

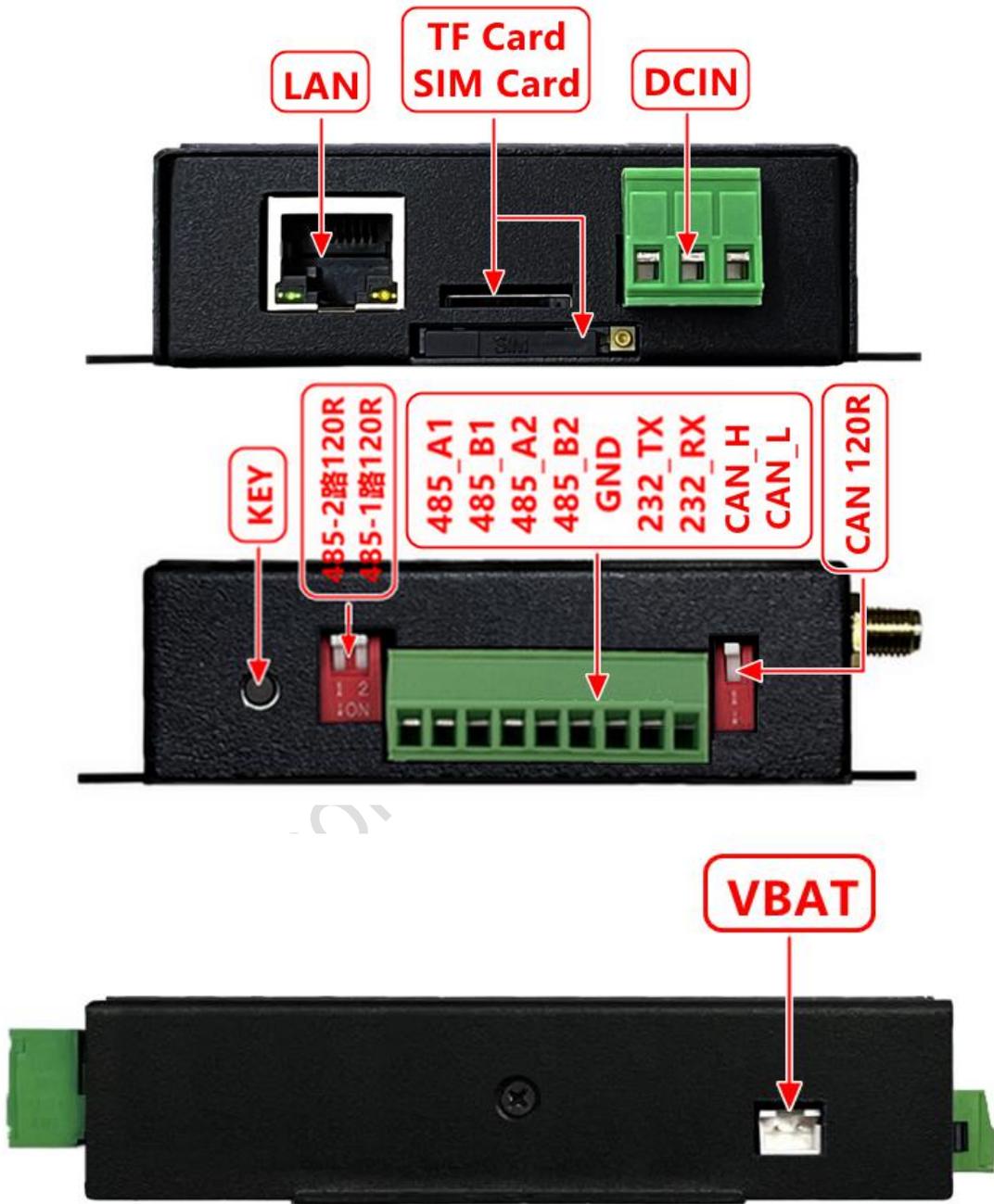
<b>Product Specifications</b>	
Model	RK2631A Standard type(DDR 256MB+EMMC 4GB) RK2631A-W Standard type with WiFi RK2631A-4 Standard type with 4G RK2631A Standard type(DDR3+EMMC 4GB) and CAN RK2631A-WC Standard type with WiFi and CAN RK2631A-4C Standard type with 4G and CAN
CPU	Allwinner A33 1.3G ARM Cortex Quad-Core Processor
DDR	256MB DDR3 (Default, 512MB optional)
EMMC	4GB EMMC Flash (User storage space 3GB)
Expanded Storage	TF Card
Expanded Storage	Wried x 1 10/100M
Ethernet	WIFI 802.11 a/b/g/n (Optional)
WIFI	RS485 x 2; RS232x1 (Multiplexing with 485 x 1) ; CAN x 1(Optional)
RTC	Real Time Clock
4G	LTE Cat1, Standard SIM card; (Optional) Supported Bands: LTE-FDD : B1/B3/B5/B8 LTE-TDD : B34/B38/B39/B40/B41;
Lithium Battery	3.7V /3200mAh (Optional), Maintains a 7 hour operating life without power
Power supply	8V~30V ;Standards 12V; <4W
<b>Product Size</b>	
Whole machine size	105.5×125.5×24.8mm

---

## 2. Appearance



Front view



---

### 3. Hardware Interface

#### 3.1 Performance Overview

##### ◆ electrical performance parameters

Properties	Conditions	Min	TYP	Max	Unit
Power Voltage	—	8.0	12.0	30	V
Operation Current	VCC=+12V, no external device operation	—	160	—	mA

##### ◆ Operating environment and reliability parameters

Properties	Conditions	Min	TYP	Max	Unit
Working Temperature	60%RH at 12V voltage	-30	25	70	°C
Storage Temperature	—	-40	25	85	°C
Working Humidity	25°C	10%	60%	90%	RH
Protective Paint	—	—	None	—	—
ESD protection Level	Class 3				

##### ◆ Interface performance parameters

Properties	Conditions	Min	TYP	Max	Unit
UART RS232 Baud rate	User set	300	—	115200	bps
Output Voltage	Output 1	—	-5.0	—	V
	Output 0	—	5.0	—	V
Input Voltage	Input 1	—	-5.0	—	V
	Input 0	—	5.0	—	V
UART 485_1, 485_2 Baud rate	User set	300	—	57600	bps
Serial port level V_AB	Output 1	2.5	5.0	—	V
	Output 0	—	-5.0	-2.5	V
Serial port level V_AB	Input 1	0	2.5	—	V
	Input 0	—	-2.5	-0.2	V
UART CAN port Baud rate	User set	10K	—	1M	bps
Serial port level V_HL	Explicit (logic 0)	1.2	2.0	3.0	V
	Implicit (Logic 1)	-120	0	12	mV

### 3.2 Power connector

- offers a 3PIN 5.08mm pitch terminal connection, terminal number: KF2EDGK-5.08-3P. Recommended for 12V DC power supply access, wide voltage range 8V~30V can be supported.



Pin	Description	Remark
-----	-------------	--------

1	DCIN (+)	12V Input(8-30V)
2	Power GND	
3	PE	GND

- Lithium battery (VBAT) interface



Pin	Description	Remark
1	GND	3.7V input
2	VBAT (+)	

### 3.3 Extended Interface

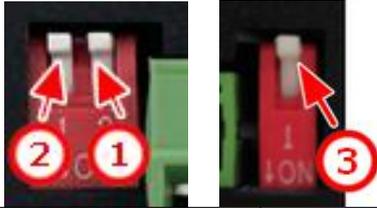
- offers 1 RS232, 2 RS485 and 1 CAN connection via 9PIN 3.5mm pitch single layer Phoenix terminals. The terminal type is: KF2EDGK-3.5-9P



Pin	Description	Equipment name
1	RS485_A1	RS485-1
2	RS485_B1	
3	RS485_A2	RS485-2
4	RS485_B2	
5	GND	RS232
6	RS232_TX	
7	RS232_RX	
8	CAN_H	CAN
9	CAN_L	

**Note: RS232 and RS485\_2 are using the same device node, only one port can be used for these two terminals, not both.**

- 120R Termination Matching Resistor



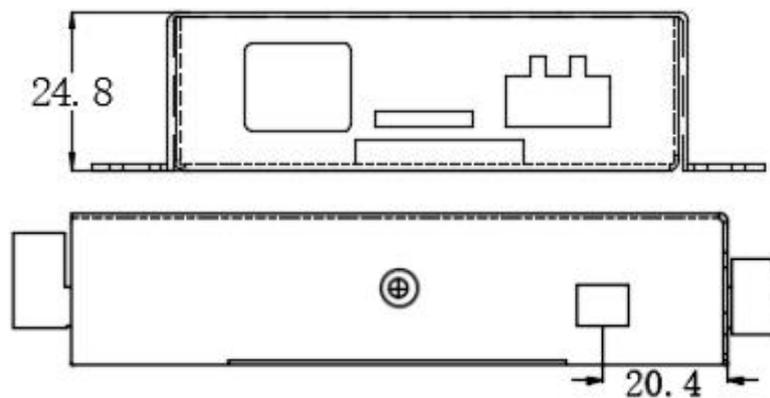
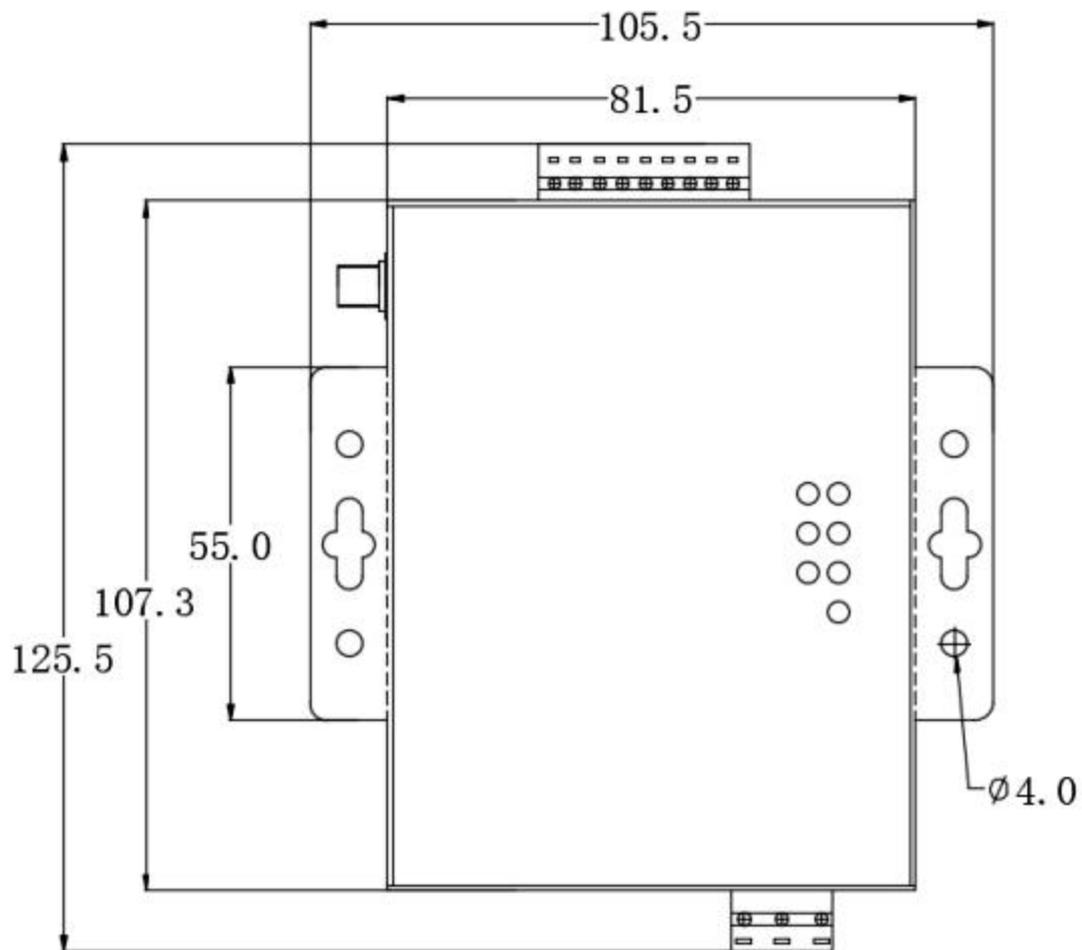
Pin	Dipswitch ON	Dipswitch OFF
1	485-1 with 120R terminating resistor	485-1 without 120R terminating resistor
2	485-2 with 120R terminating resistor	485-2 without 120R terminating resistor
3	CAN with 120R terminating resistor	CAN without 120R terminating resistor

Cosofteck Copyright



## 4. Dimensional drawings

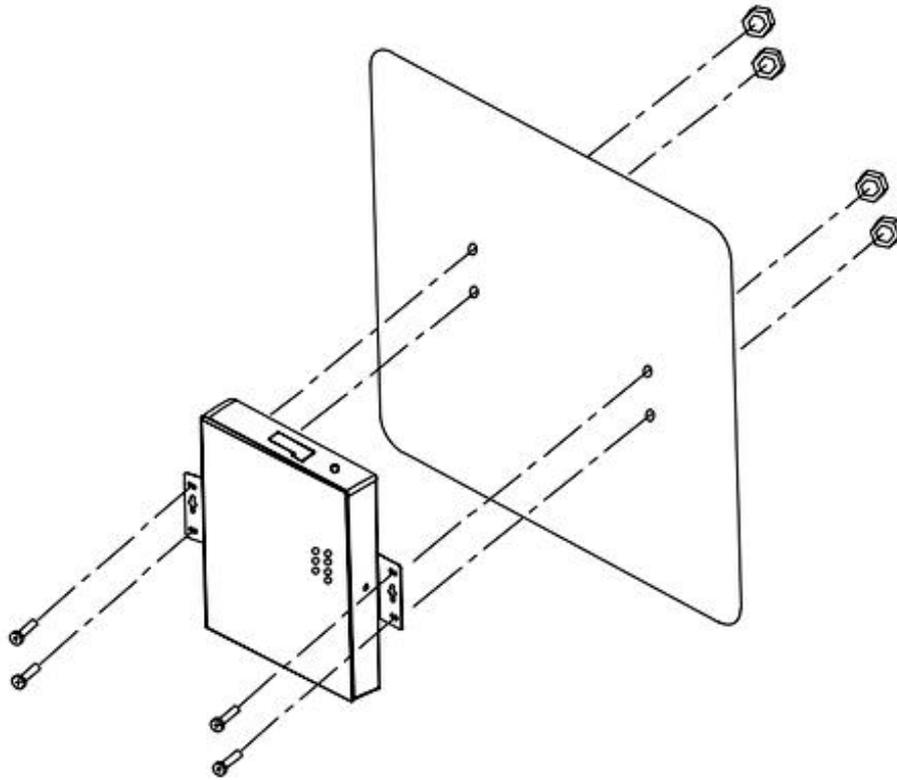
### 4.1 External dimensions



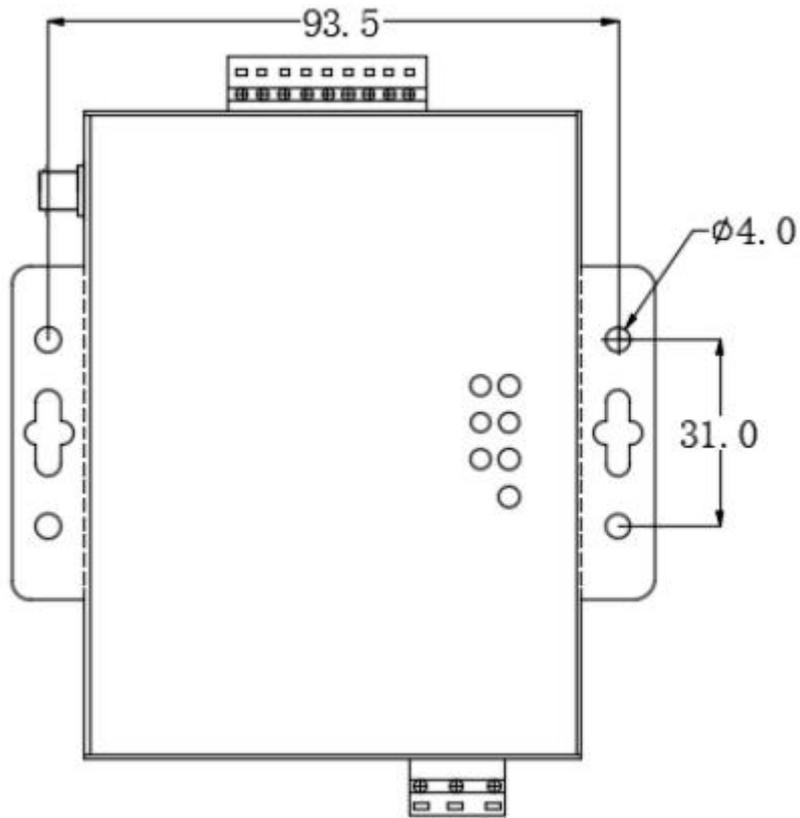
1. 单位: MM
2. 未注公差 $\pm 0.3$ mm

---

## 4.2 Installation method



Cosoc



### Attachment: Packaging and physical dimensions

Size				
Product Form Factor	105.5(L)x125.5(W)x24.8mm			
Product net weight	270g			
Packaging standards				
Box type	Box size	Number of storeys layers	Quantity/ layers	Total
Aircraft Box	14cm(L)× 13.3cm(W)× 6.3cm(H)	1	1	1

## Example of a face sticker

